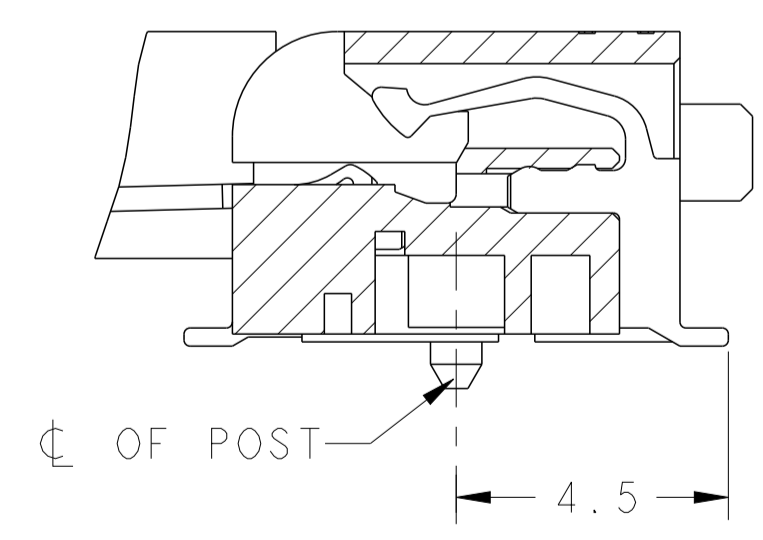
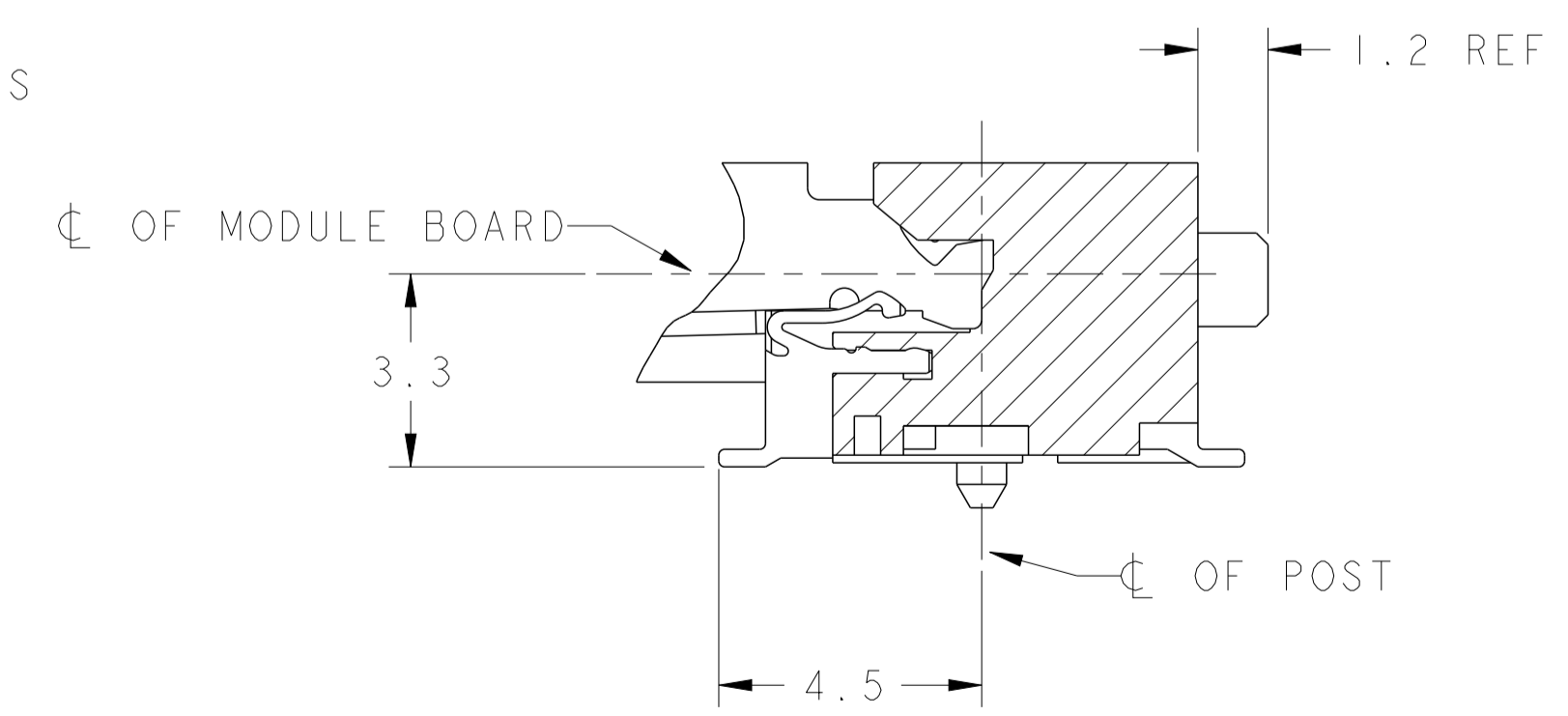
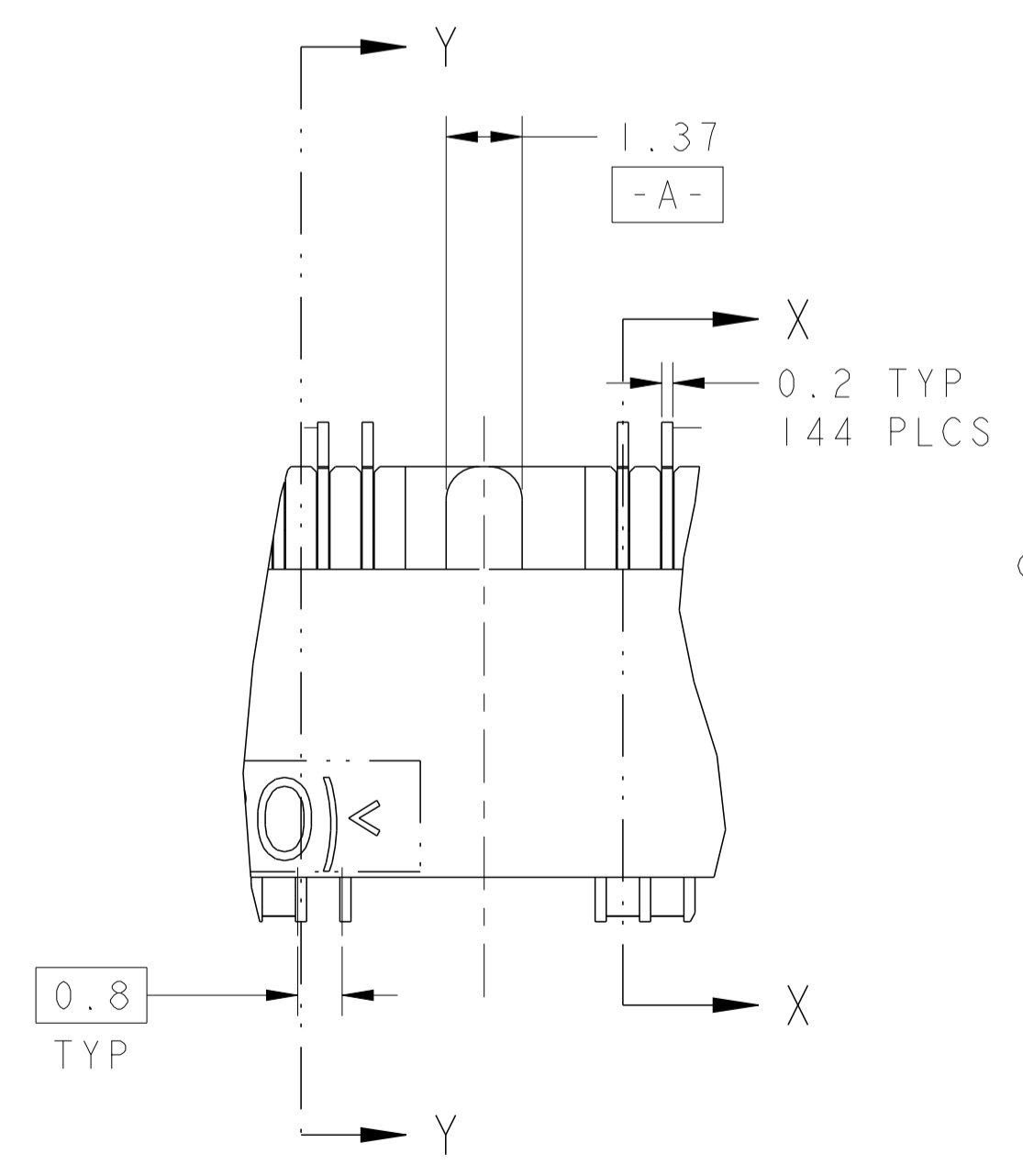
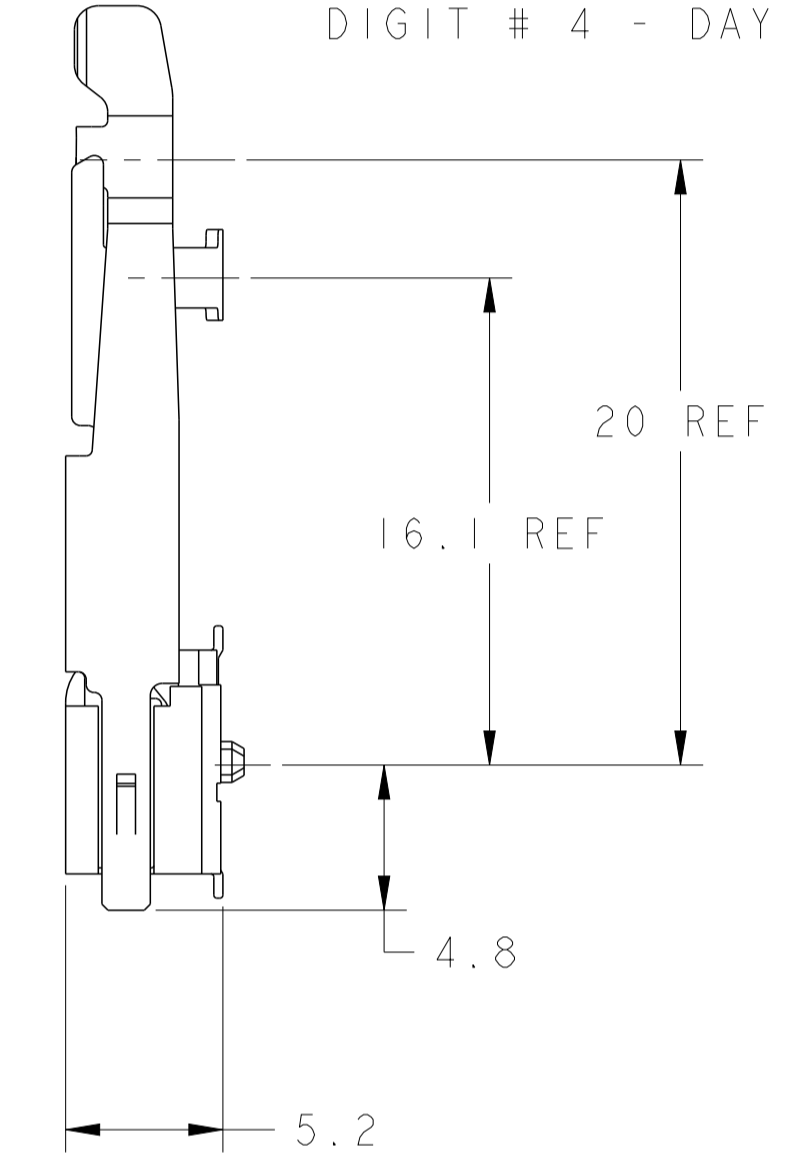


- 1 MATERIAL:
HOUSING: HIGH TEMPERATURE PLASTIC, UL94V-0, NAT.
CONTACT: COPPER ALLOY
LATCH: SUS301 STAINLESS STEEL PLATING.
- 2 FINISH; CONTACT AREA: 0.00025 MIN GOLD PLATE ON
0.001 MIN ALL OVER NICKEL
SOLDERING AREA: 0.00005 MIN TO 0.00030 MAX GOLD PLATE.
- 3. TOLERANCES NON-ACCUMULATIVE.
- 4 PACKAGED 12 PIECES PER HARD TRAY.
- 5 FINISH; CONTACT AREA: 0.00025 MIN GOLD PLATE ON
0.001 MIN ALL OVER NICKEL
SOLDERING AREA: BRIGHT TIN LEAD PLATE.
- 6 PART PACKAGED PER EIA-1875 STANDARD. REEL DIAMETER SHALL
BE 330mm. TAPE WIDTH SHALL BE 88mm AND TAPE PITCH SHALL
BE 36mm.
- 7 DATE CODE (4-DIGITS), LOCATED AS SHOWN.
TO BE INTERPRETED AS FOLLOWS:
DIGIT # 1 - LAST DIGIT OF YEAR.
DIGITS # 2 AND # 3 - CALENDAR WEEK.
DIGIT # 4 - DAY OF THE WEEK (WITH SUNDAYS AS DAY 1).



SUPERSEDED BY	REMARKS	FINISH	POWER SUPPLY	POS	PART NUMBER
NIL	AVAILABLE	2	DRAM 3.3V	144	6-390113-1 6
3-390113-1	NOT AVAILABLE	5	DRAM 3.3V	144	3-390113-4 4
NIL	AVAILABLE	2	DRAM 3.3V	144	3-390113-1 4
390113-1	NOT AVAILABLE	5	DRAM 3.3V	144	390113-4
NIL	AVAILABLE	2	DRAM 3.3V	144	390113-1

DETAIL B
SCALE 8:1

SECTION X-X
ROTATED 90° CCW
SCALE 8:1

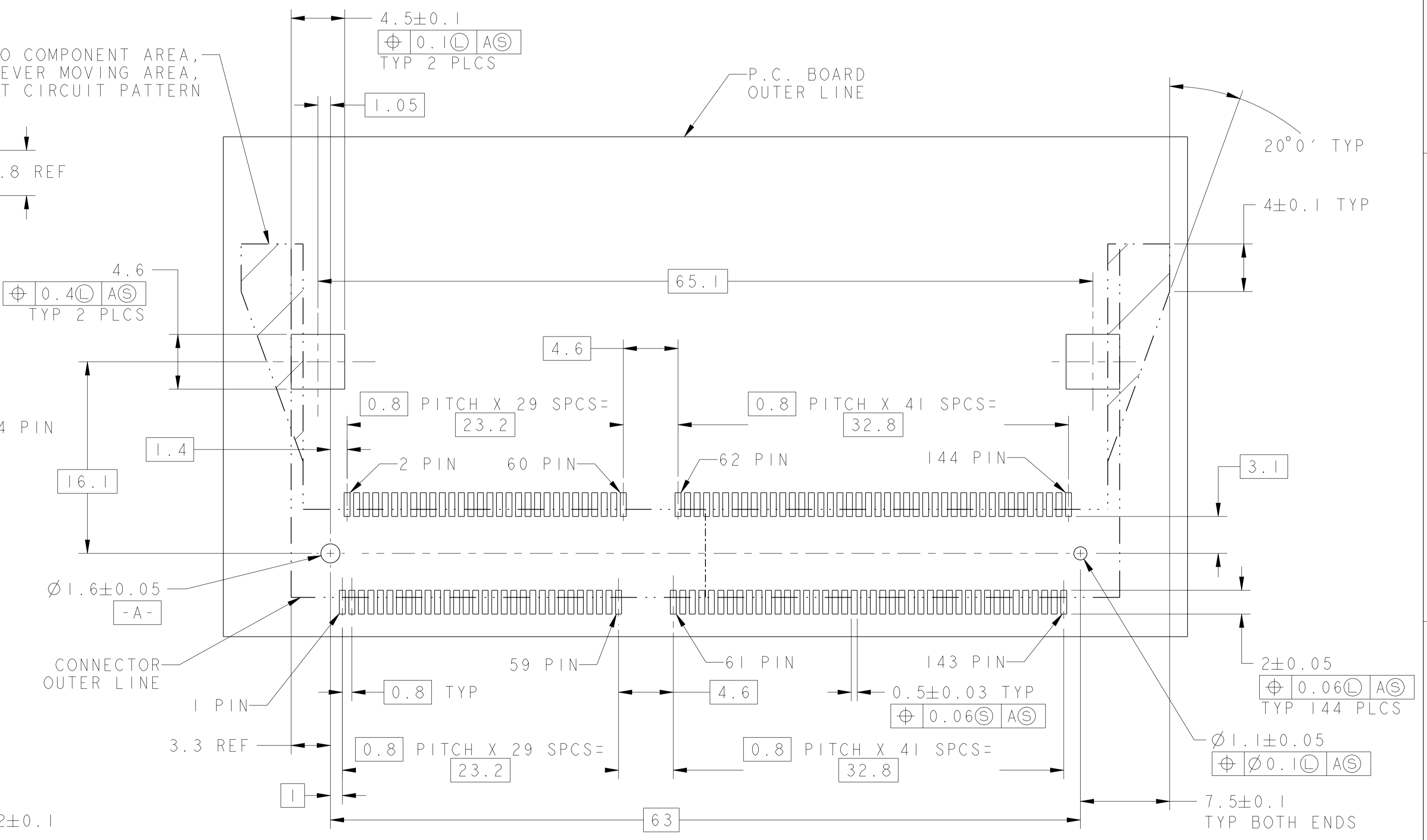
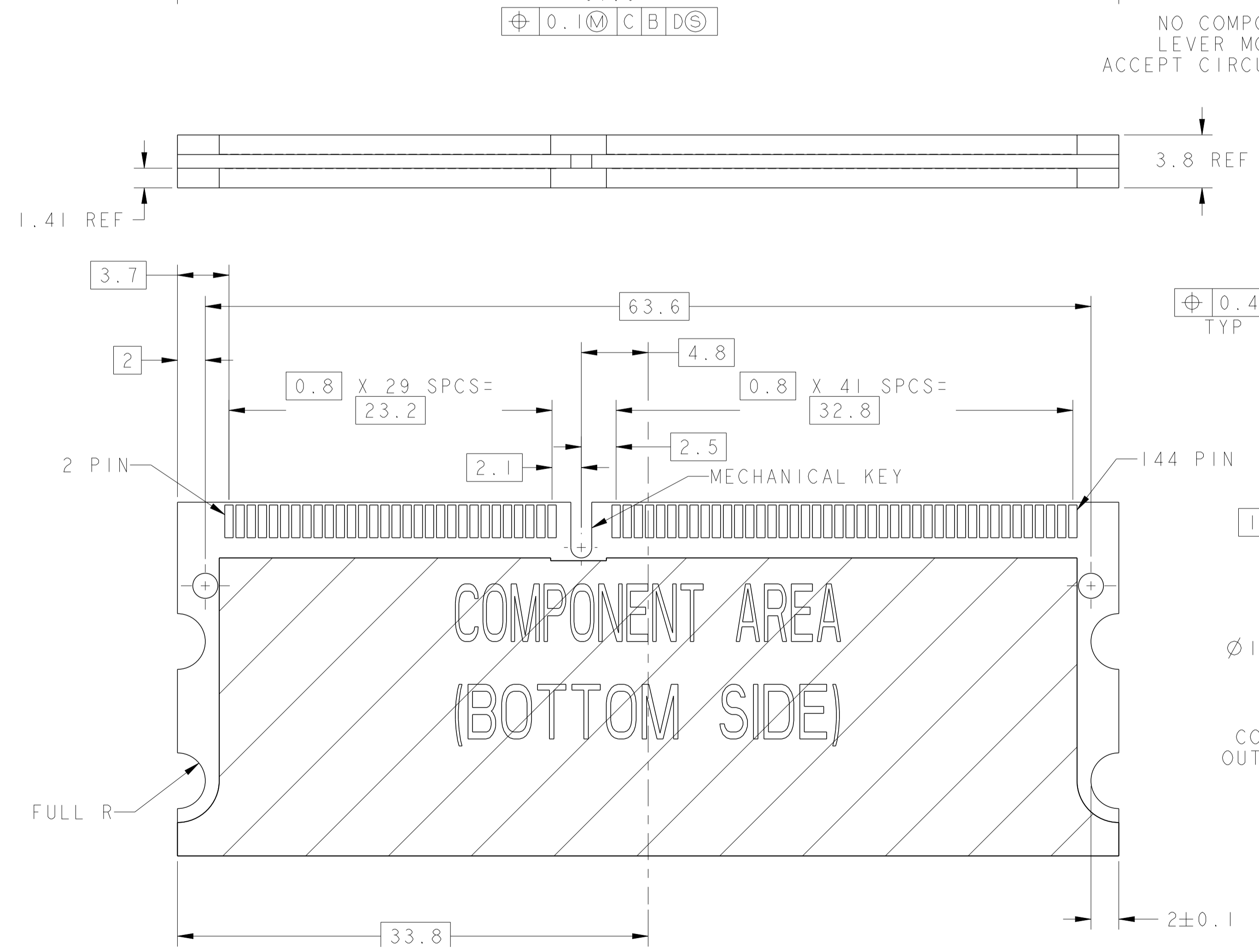
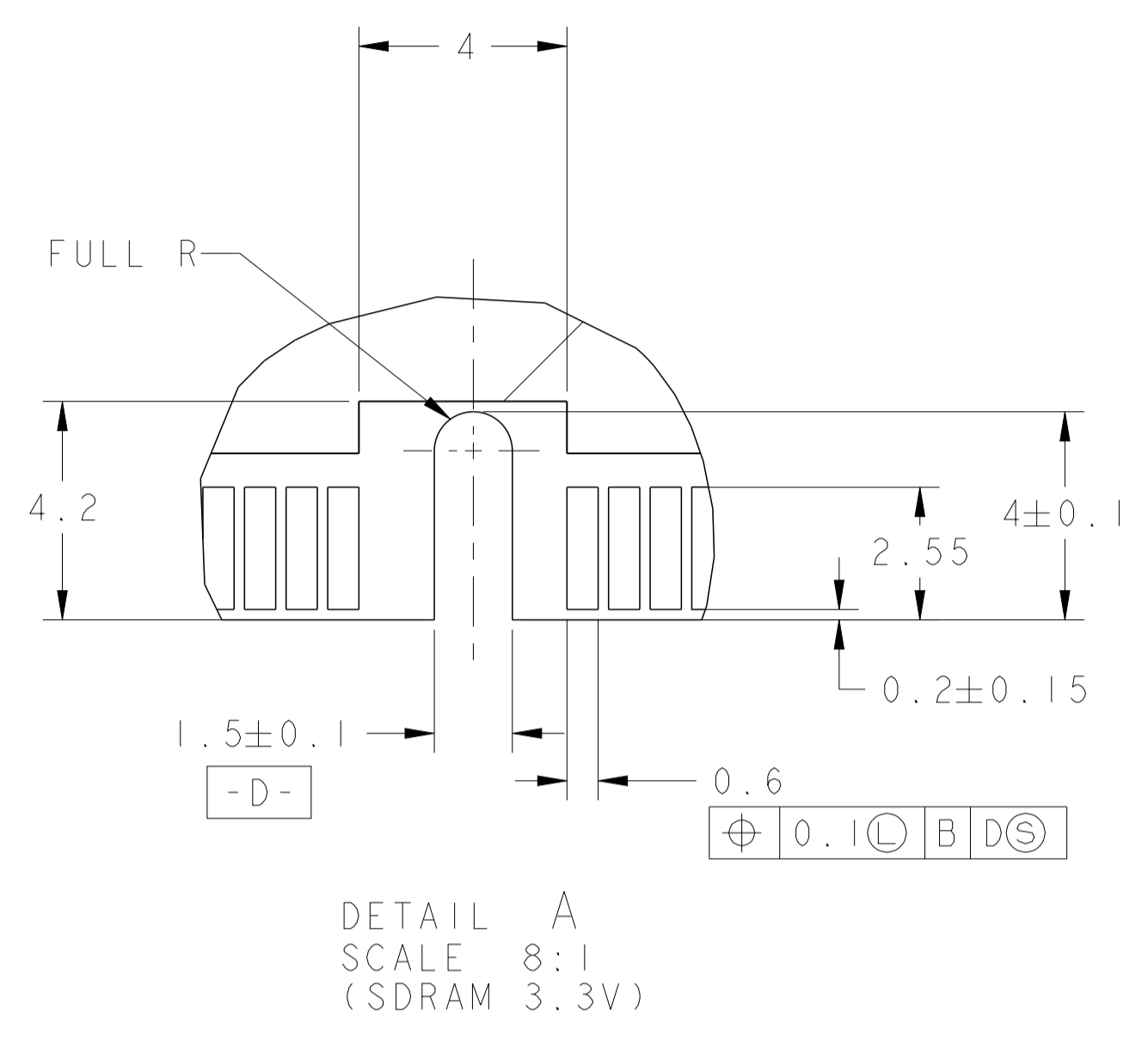
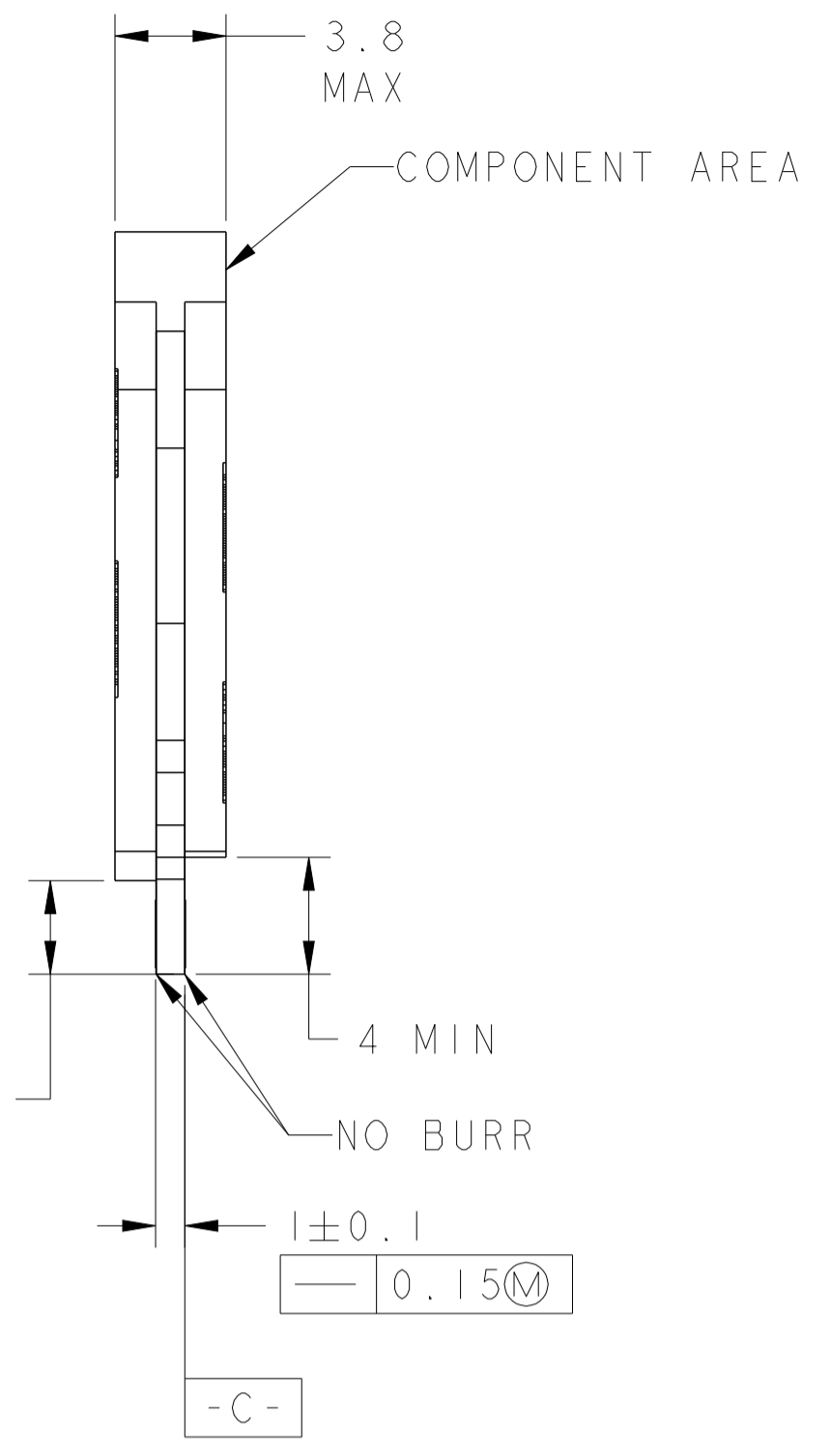
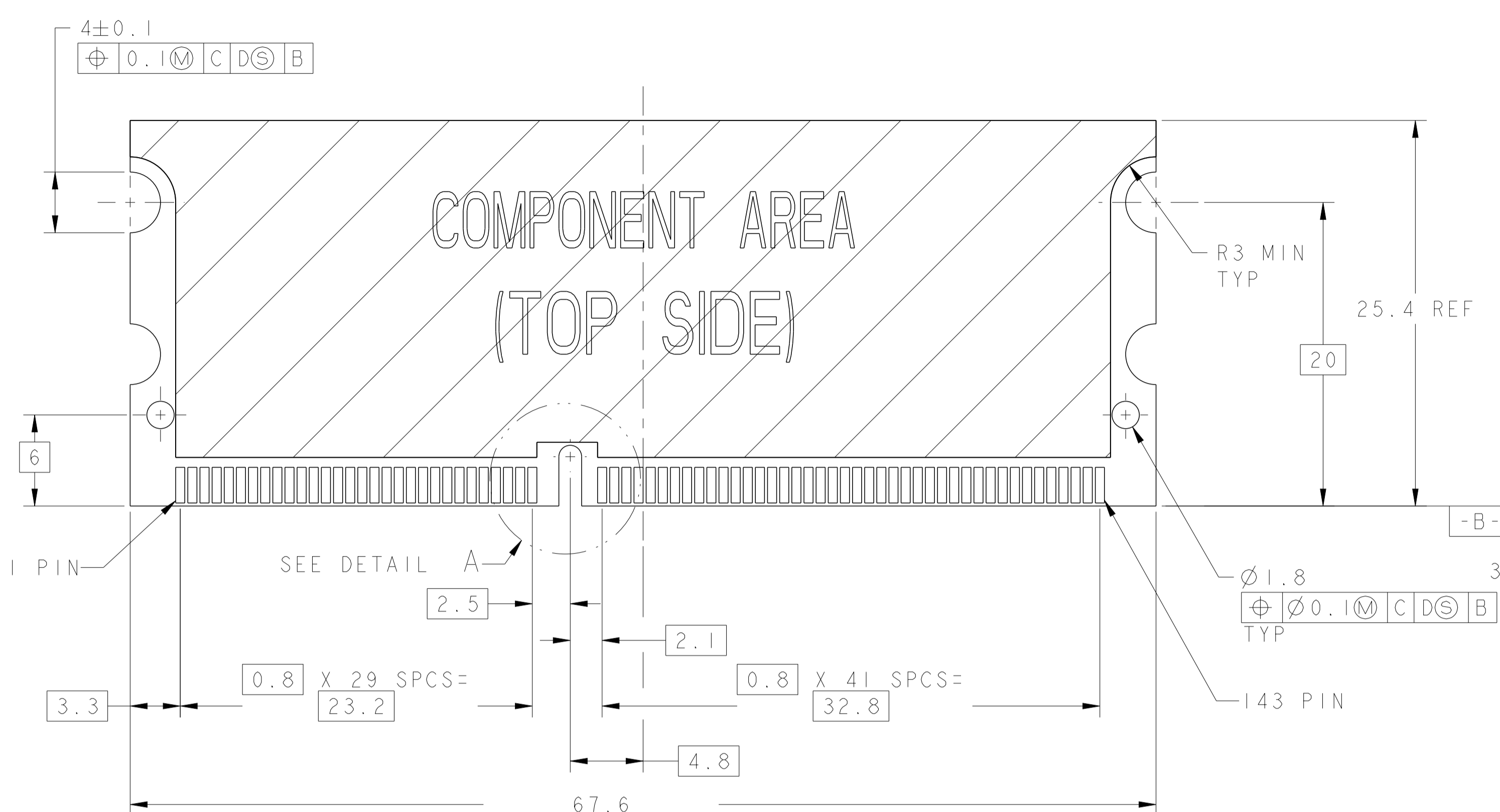
SECTION Y-Y
ROTATED 90° CCW
SCALE 8:1

DIMENSIONS: mm		TOLERANCES UNLESS OTHERWISE SPECIFIED:		DWG: W. SORAH 6-20-97 CHK: R. TALLEY 6-20-97	
0 PLC	±0.2	APPROVAL: SE LEONG	NAME: S.O. DIMM SOCKET, 0.8mm PITCH, 3.3V, 144 POSITION, STD PROFILE FOR SDRAM TYPE MODULE		
1 PLC	±0.2	PRODUCT SPEC	108-1739		
2 PLC	±0.2	APPLICATION SPEC	114-1114		
3 PLC	±	FINISH	SEE TABLE		
4 PLC	±	WEIGHT	-		
ANGLES	±	CAGE CODE	00779		
FINISH	SEE TABLE	DRAWING NO	390113		
MATERIAL		CUSTOMER DRAWING		SCALE	4:1
				SHEET	1 OF 2
				REV	M1



STE TE Connectivity
 S.O. DIMM SOCKET, 0.8mm PITCH, 3.3V,
 144 POSITION, STD PROFILE
 FOR SDRAM TYPE MODULE

LOC		DIST		REVISIONS		
NO.	DATE	BY	CHK	DESCRIPTION	DATE	BY
1				SEE SHEET 1		



DIMENSIONS:		TOLERANCES UNLESS OTHERWISE SPECIFIED:		DRAWN		DATE	
mm		0 PLC	± 0.2	W. SORAH	6-20-97		
		1 PLC	± 0.2	R. TALLEY	6-20-97		
		2 PLC	± 0.2				
		3 PLC	± 0.2				
		4 PLC	± 0.2				
		ANGLES	\pm				
MATERIAL	FINISH	SEE TABLE					

NAME	SIZE	CAGE CODE	DRAWING NO.	RESTRICTED TO
S.O. DIMM SOCKET, 0.8mm PITCH, 3.3V, 144 POSITION, STD PROFILE FOR SDRAM TYPE MODULE	A1	00779	C=390113	

CUSTOMER DRAWING SCALE: 4:1 SHEET 2 OF 2 REV